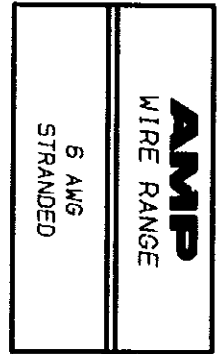


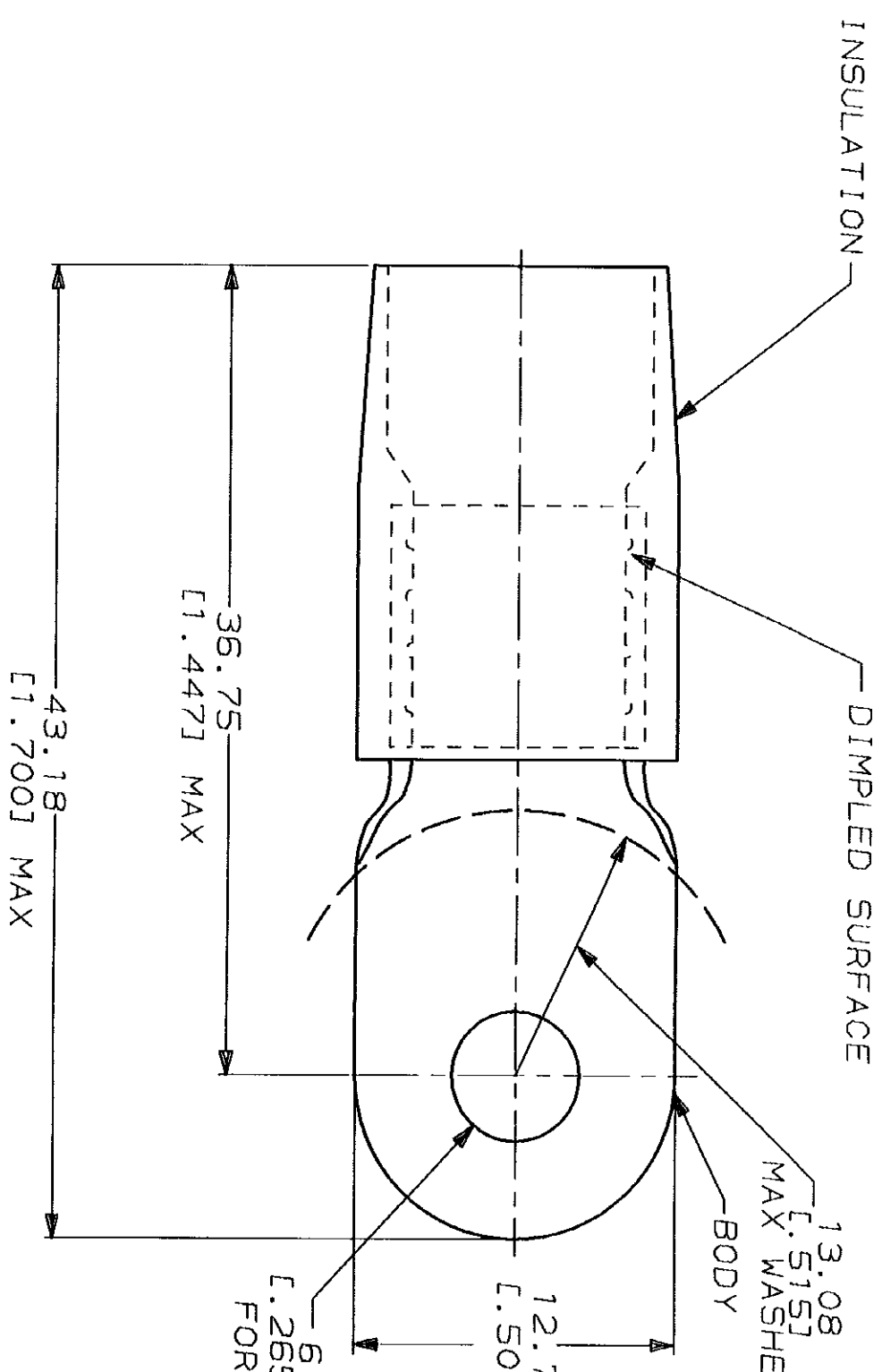
THIS DRAWING IS UNPUBLISHED. RELEASED FOR PUBLICATION  
 © COPYRIGHT 19 BY AMP INCORPORATED. ALL INTERNATIONAL RIGHTS RESERVED.

Loc	DIST	P	F	ZONE	LTR	REVISIONS	DATE	APPD
6	14					EC 0720-0279-93	6-18-93	SSS BB



**METRIC**  
 DIMENSIONS LISTED IN mm [ INCHES ]

1. TONGUE MATERIAL THK 1.14±0.08 [ 0.045±.003 ]  
 FOR 7.98 [ 0.314 ] MAX WIRE INS DIA



**AMP INCORPORATED  
 CUSTOMER SERVICE SYSTEMS**

FOR ADDITIONAL PRODUCT INFORMATION OR COPIES OF DRAWINGS AND TECHNICAL DOCUMENTS	PRODUCT INFORMATION CENTER 1-800-522-6752
FOR APPLICATION	TOOLING ASSISTANCE CENTER 1-800-722-1111
TOOLING INFORMATION	1-800-526-5142
FOR ORDER ENTRY	

MS25036-120 CLASS 2	MILITARY P/N AND CLASS	DO NOT SCALE PRINT. UNLESS SPECIFIED	DR 6-18-93 S.S. GOLDEN	QTY	LOOSE PC	324047
		TOLERANCES UNLESS SPECIFIED	CHK 6-18-93 R. HERSEY			
		1 PLG DEC ± 0.20 [ 0.08 ]	APPD 6-18-93 B. BARE			
		2 PLG DEC ± 0.20 [ 0.08 ]	APPD 6-18-93 H. ELLIS			
		3 PLG DEC ± 0.20 [ 0.08 ]	PRODUCT SPEC			
		ANGLES ±	APPLICATION SPEC			
		MATERIAL	FINISH			
		COPPER PER ASTM B-152	TIN PLATE PER MIL-T-10727			
		NYLON (MIL-M-20693) TYPE 1				
		COLOR: BLUE				
		STRANDED				
		CIRCULAR MIL AREA: 10.5-16.8mm² [ 20, 800-33, 100 ]				
		VOLTAGE RATING: -				
		MAX RECOMMENDED OPERATING TEMPERATURE: 105°C				